



www.centralair.co.th

# 50 Hertz Cooling Capacity

*Durability is our utmost care.*



## Direct Expansion AIR HANDLING UNIT

- Air Quantity From 3,000 To 20,000 CFM.
- Cooling Capacity From 77,100 To 600,000 Btu/Hr.

*Model : CFD-N 77-600*



## Fancoil Unit Model : CFD 33-63

- Air Quantity From 1,200 To 2,000 CFM.
- Cooling Capacity From 33,400 To 63,400 Btu/Hr.

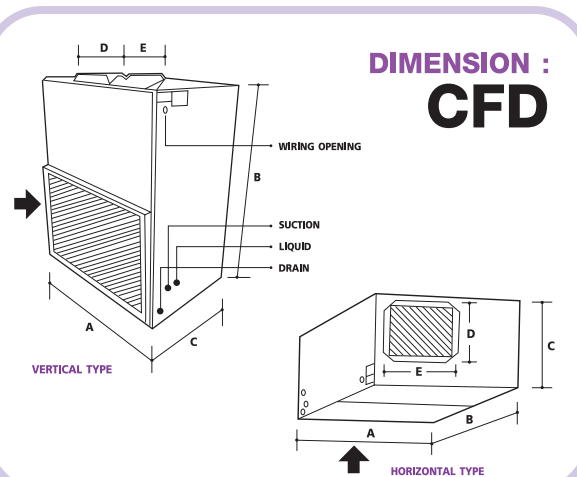
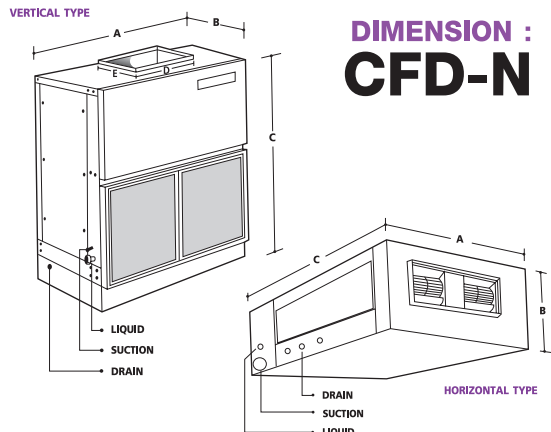
# Direct Expansion AIR HANDLING UNIT

MODEL :  
**CFD & CFD-N**

Model : CFD-N	77-85	105-122	154	203	232	270	352	395	500	600
Blower Size	12"x12"	10"x10"	12"x12"	12"x12"	15"x15"	15"x15"	18"x18"	18"x18"	18"x18"	18"x18"
Type	Belt Drive									
Quantity	1	2							3	
Normal CFM.	3,000	4,000	6,000	6,500	8,000	10,000	12,000	13,200	16,000	20,000
CFM. Range	2,500-3,500	3,500-4,500	4,000-6,500	5,000-7,000	6,000-9,000	8,000-12,000	10,000-12,500	10,000-15,000	12,000-20,000	15,000-25,000
Motor Size (H.P.)	1	2	3	5.5		7.5	10	5.5 x 2	5.5 x 3	
RPM.	1,400	1,420			1,430			1,450	1,430	
Voltage V./Ph./Hz.	380 / 3 / 50 Hz.									
FLA. (Amp.)	1.92	4.3	6.0		9.0		12.0	16.0	9.0 x 2	9.0 x 3
Coil Type	Plate Fin Type									
Face Area (Sq.Ft.)	5.73	7.81	11.04	11.04	16.0	20.0	24.0	28.75	34.38	40.10
Row...Fin/Inch	4...12									
Tube Size (Inch)	3/8									
Connection Suction (Inch)	1 1/8	1 3/8			2 1/8			2 1/8 x 2		
Liquid (Inch)	1/2	5/8		7/8				7/8 x 2		
Drain (Inch)	1							1 1/4		
Air Filter Type	Washable Aluminium Filter									
Weight Kgs. (Approx.)	220	259	363	366	377	432	500	636	690	745

Dimension Data : หน่วยเป็น เซนติเมตร

Model : CFD-N		77-85	105-122	154	203	232	270	352	395	500	600
Dimension (cm.) Vertical Type	A	103.5	133.7	154.4	154.4	188.5	233	278.7	278.7	322	322
	B	63	63	88.5	88.5	94.5	94.5	94.5	102	102	112.5
	C	129.2	129.2	171.1	171.1	184.4	184.4	184.4	224.6	224.6	244.5
	D	46.2	40.5	46.1	46.1	52.7	53.4	61.5	61.5	61.5	61.5
	E	40.1	35.2	40.2	40.2	46.4	46.4	55.3	55.3	55.3	55.3
Dimension (cm.) Horizontal Type	A	103.5	133.7								
	B	59	59								
	C	117	117								



Model : CFD		33-38	44-48	56-63
Blower	Size (in.)	9 x 9	10 x 10	
	Type	Centrifugal Direct Drive		
	Qt.	1		
CFM.	Normal	1,200	1,500	2,000
	Range	1,000-1,300	1,400-1,600	1,800-2,200
Motor	H.P.	1/3	1/2	
	RPM.	900/850/750		
	Voltage	220/1/50 Hz.		
	FLA. (Amp.)	2.3	3.5	
Evaporating Coil	Type	Plate Fin		
	Face Area (Sq.Ft.)	2.67	3.33	
	Row...Fin	3/12		4/12
	Tube Size (In.)	3/8		
Connection	Suction (In.)	3/4	7/8	
	Liquid (In.)	3/8	1/2	
	Drain (In.)	3/4		
	Air Filter Type	Aluminium Permanent		
Weight Kgs.	(Approx.)	75	77	78

Performance data for duct type

Model : CFD	CFM.	Cooling Capacity (MBH)		
		35 °F SST	40 °F SST	45 °F SST
33-38	1000	44.6	38.6	33.5
	1200	48.8	42.8	38.8
44-48	1400	62.8	54.3	42.0
	1600	67.4	58.7	48.4
56-63	1800	76.0	66.6	54.5
	2200	81.0	67.0	56.7

Dimension Data : หน่วยเป็น เซนติเมตร

Model : CFD		33-38	44-48	56-63
Dimension (cm.) Vertical Type	A	74		
	B	93		
	C	50.8		
	D	26.7	29.8	
	E	31.1	34.9	
Dimension (cm.) Horizontal Type	A	74		
	B	96		
	C	50		
	D	26.7	29.8	
	E	31.1	34.9	

Notes :

1. Capacity rating based on 80 °F DB. 67 °F WB.
2. SST = Saturated suction Temp.
3. MBH = Total capacity 1000 BTUH
4. CFM = Air delivery cubic foot per minute
5. Specifications are subject to change without notice